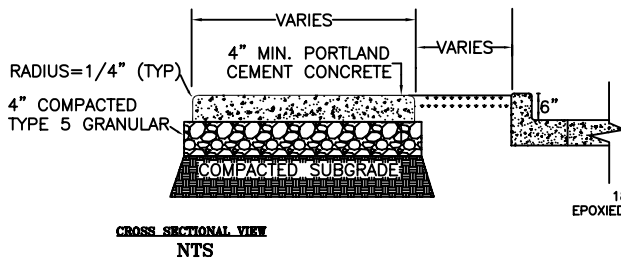
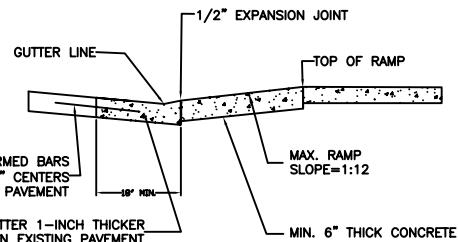


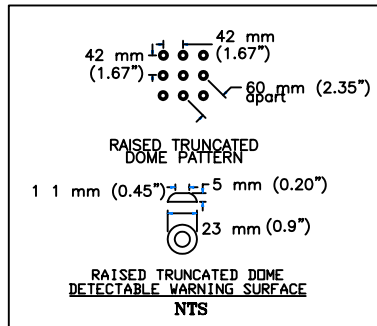
NOTE: SLOPE SIDEWALK 1/4" PER FOOT TOWARD STREET



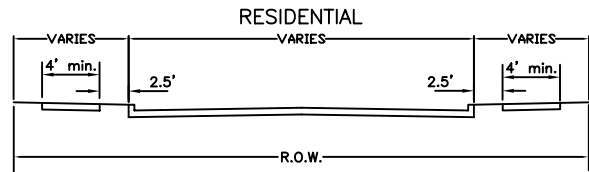
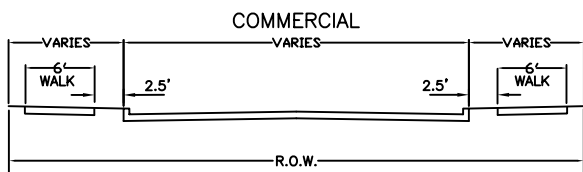
CROSS SECTIONAL VIEW
NTS



TYPICAL PROFILE
NTS



SIDEWALK & RAMP STANDARDS



DRAWING NO. 316

CITY OF JACKSON, MISSOURI

K.A.P. 04/01/11
Approved Date

Revisions

SIDEWALK AND RAMP STANDARDS